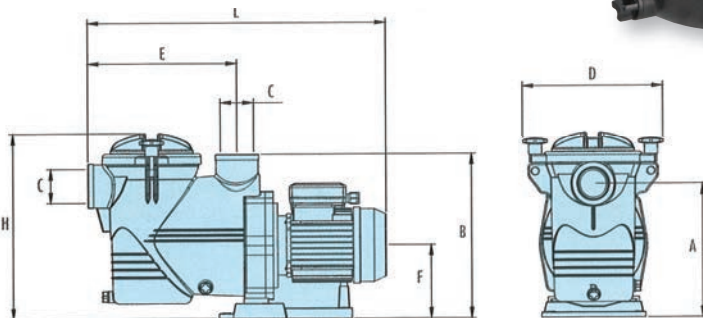


PORTLAND Pool Products

PORTLAND Pump

- Self priming
- Built-in pre-filter
- Polypropylene body
- Noryl impellor
- Motor IP55 protection rated
- 316 stainless steel shaft
- 2" connections

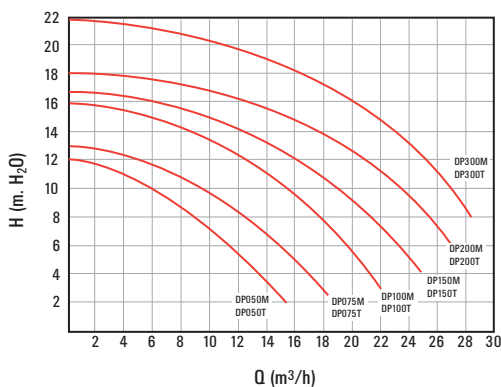


PORTLAND Pump Specifications

Code	kW	CV	Dimensions								KG	Volume m ³
			A	B	C	D	E	F	H	L		
PP050M / DP050T	0.37	1/2	250	312	2"	280	282	140	348	565	12.5	0.072
PP075M / DP075T	0.55	3/4	250	312	2"	280	282	140	348	565	13	0.072
PP100M / DP100T	0.75	1	250	312	2"	280	282	140	348	565	14	0.072
PP150M / DP150T	1.10	1.5	250	312	2"	280	282	140	348	590	17	0.072
PP200M / DP200T	1.50	2	250	312	2"	280	282	140	348	605	19.5	0.072
PP300M / DP300T	2.20	3	250	312	2"	280	282	140	348	625	22.5	0.072

PORTLAND Pumps

Code	Description	Phase
PP050M	PORTLAND pump 0.50HP II	1
PP050T	PORTLAND pump 0.50HP III	3
PP075M	PORTLAND pump 0.75HP II	1
PP075T	PORTLAND pump 0.75HP III	3
PP100M	PORTLAND pump 1HP II	1
PP100T	PORTLAND pump 1HP III	3
PP150M	PORTLAND pump 1.5HP II	1
PP150T	PORTLAND pump 1.5HP III	3
PP200M	PORTLAND pump 2HP II	1
PP200T	PORTLAND pump 2HP III	3
PP300M	PORTLAND pump 3HP II	1
PP300T	PORTLAND pump 3HP III	3



www.national-leisure.co.uk
www.portlandpoolproducts.co.uk